

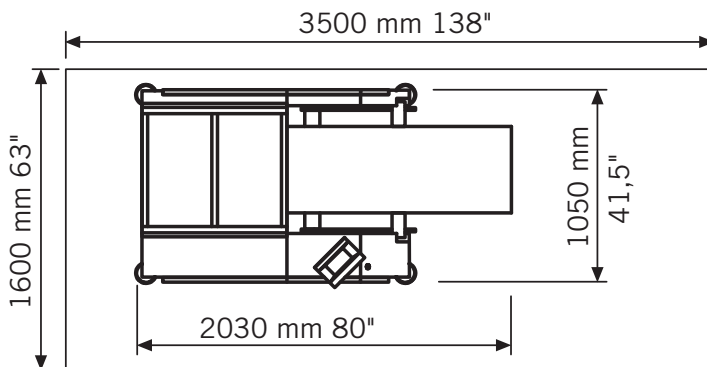
Unwinder u8

Tight web roll feeding



- ✓ **Automatic, variable tension**
- ✓ **Center-shaft driven**
- ✓ **Splice sensor**
- ✓ **Feed directly into printers or finishing devices**

Service Area



Technical Specifications

Performance / Media

Speed max.	500 ft/min	150 m/min
Feeding	Pinfed or pinless	
Paper weight	10.7# bond - 110# index, 40 - 200 gsm	
Roll diameter	4" - 52"	100 mm - 1320 mm
Roll weight max.	1389 lb	630 kg
Web width	6" - 22"	152 mm - 559 mm
Core sizes	3", 5", 6"	70, 150, 200 mm

Options

Splice sensor	Connected to the Printer to detect splice in paper roll	
---------------	---	--

Electrical

Power	10A, 200-240 VAC, 50/60 Hz or (North America) 15A, 1 Phase, 208 V, REC=L6-15R	
Consumption	410 W (in use)	120 W (idle)
Heat output	360 kcal/h - 1100 kJ/h - 1120 BTU/h	

Environmental

Temperature	60-80° F	15-27° C
Acoustics	65 dB(A)	
Humidity	40 - 60%	

Dimensions

Length	56"	1420 mm
inc loop and max roll	80"	2030 mm
Width	44.9"	1140 mm
Height (Inc. display)	42.75" (49.8")	1085 mm (1265mm)
Weight	1587 lb	720 kg
Color	Gray	

Approvals

CE (2006/42/EC), EMC Class A, LVD,
CB EN 60950, cULus 60950-1,
FCC15 Class A

Product Specifications



18062015

©2015 Tecna. All rights reserved. The Tecna name and logo are trademarks of Tecna. Tecna reserves the right to make any technical amendments without prior notification.



Europe	Italy	+39 0125 631678	info.it@tecna.com
	Sweden	+46 372 256 00	info.se@tecna.com
Americas	USA	+1 978 608 0500	info.us@tecna.com
	Asia Pacific	China	+86 159 00710147
	Singapore	+65 6793 9478	info.sg@tecna.com